

Math 1330

Homework 7 (8.2a)

Problem 8.2.50 refers to problem 50 in Chapter 8, Section 2 of the online text. Record your answers to all the problems in the EMCF titled “**Homework 7.**”

1. Problem 8.2.50

A. $(x - \sqrt{5})^2 + (y - \sqrt{5})^2 = 1$

B. $x^2 + y^2 = \sqrt{5}$

C. $x^2 + y^2 = 5$

D. $(x - 5)^2 + (y - 5)^2 = 1$

E. None of the above

2. Problem 8.2.52

A. $(x - 2)^2 + (y + 5)^2 = 7$

B. $(x + 2)^2 + (y - 5)^2 = 7$

C. $(x + 2)^2 + (y - 5)^2 = 49$

D. $(x - 2)^2 + (y + 5)^2 = 49$

E. None of the above

3. Problem 8.2.54

A. $(x + 8)^2 + y^2 = 20$

B. $(x + 8)^2 + y^2 = 2\sqrt{5}$

C. $(x - 8)^2 + y^2 = 10$

D. $(x - 8)^2 + y^2 = 20$

E. None of the above

4. Problem 8.2.56

A. $(x - 6)^2 + (y - 3)^2 = 5$

B. $(x - 6)^2 + (y - 3)^2 = \sqrt{5}$

C. $(x + 6)^2 + (y + 3)^2 = \sqrt{5}$

D. $(x + 6)^2 + (y + 3)^2 = 5$

E. None of the above

5. Problem 8.2.58

A. $(x-5)^2 + (y-5)^2 = 1$

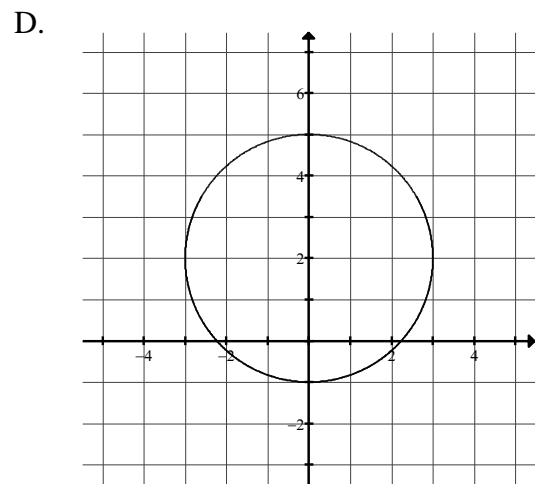
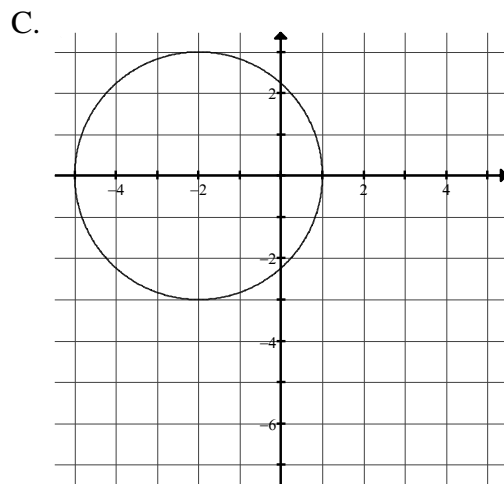
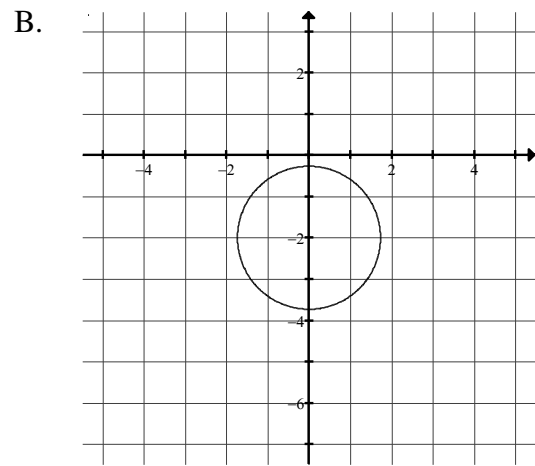
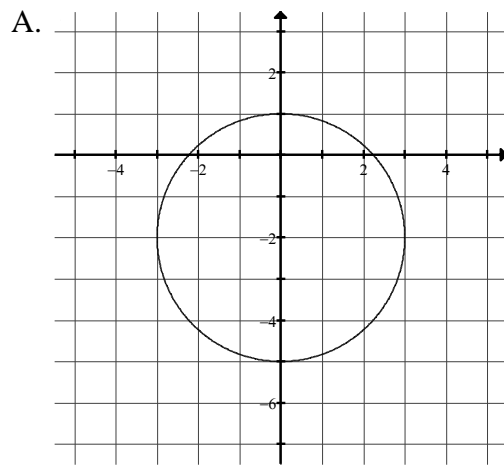
B. $(x-5)^2 + (y-5)^2 = 116$

C. $(x-5)^2 + (y-5)^2 = \sqrt{116}$

D. $(x+2)^2 + (y+5)^2 = 29$

E. $(x-5)^2 + (y-5)^2 = 29$

6. Problem 8.2.64 Which is the correct graph?



E. None of the above

7. Problem 8.2.66 c

A. $r = 6$

B. $r = 12$

C. $r = \sqrt{6}$

D. $r = 18$

E. None of the above

8. Problems 8.2.68 b c

- A. $(5, 1); \quad r = 7$
C. $(-1, -5); \quad r = \sqrt{7}$
E. $(1, 5); \quad r = \sqrt{7}$

- B. $(-1, -5); \quad r = 7$
D. $(1, 5); \quad r = 7$

9. Problem 8.2.70 a

- A. $(x+3)^2 + (y-1)^2 = 16$
C. $(x-3)^2 + (y+1)^2 = 16$
E. $(x+3)^2 + (y-1)^2 = 4$

- B. $(x-3)^2 + (y+1)^2 = 6$
D. $(x+3)^2 + (y-1)^2 = 6$

10. Problems 8.2.72 b c

- A. $(-2, -7); \quad r = \sqrt{3}$
C. $(-2, -7); \quad r = 3$
E. $(2, 7); \quad r = 9$

- B. $(2, 7); \quad r = \sqrt{3}$
D. $(2, 7); \quad r = 3$

For numbers 11 – 15, choose the correct graph for the given equation.

11. $x^2 + (y-3)^2 = 9$

12. $(x+4)^2 + (y+2)^2 = 9$

13. $(x-3)^2 + (y+2)^2 = 9$

14. $(x-2)^2 + (y-4)^2 = 9$

15. $(x+4)^2 + y^2 = 9$

